



FLAME FIGHTER

DRYWALL FINISHING TAPE

TECH MANUAL

**E-Z TAPING SYSTEM, INC.
GREEN BAY, WI
800-721-8273**

DIVISION: 09—FINISHES
Section: 09270—Gypsum Board Accessories

REPORT HOLDER:

EZ TAPING SYSTEMS, INC.
POST OFFICE BOX 11263
GREEN BAY, WISCONSIN 54307-1263
(920) 429-9274
www.eztapingsystem.com

EVALUATION SUBJECT:

EZ TAPING SYSTEM "FIRE TAPE" DRYWALL TAPE

1.0 EVALUATION SCOPE
Compliance with the following codes:

- 2006 *International Building Code*® (IBC)
- 2006 *International Residential Code*® (IRC)
- 1997 *Uniform Building Code*™ (UBC)

Property evaluated:

Fire resistance

2.0 USES

The assembly described in Section 4.2 of this report can be used where a one-hour nonload-bearing fire-resistance-rated steel- or wood-framed assembly is required by Chapter 7 of the IBC, Section R317 of the IRC or Chapter 7 of the UBC. When used in this assembly, the EZ Taping System Fire Tape is an alternative to the joint treatment required by IBC Section 2508.4, IRC Section R702.3.1 and UBC Section 2511.5.

3.0 DESCRIPTION

The EZ Taping System Fire Tape is a self-adhesive, fiberglass-reinforced, paper drywall tape. The tape is 1.9 inches (48 mm) wide and comes in rolls 250 feet (76.2 m) long.

4.0 INSTALLATION
4.1 General:

The tape is applied directly to vertical or horizontal joints of gypsum wallboard panels. The tape must be wiped down with a 3-inch (72 mm) plastic blade provided by the manufacturer or with an equivalent instrument to apply sufficient pressure to establish full contact between the tape and drywall.

4.2 One-hour Nonload-bearing Fire-resistance-rated Assembly:

The construction consists of minimum 0.0185-inch-thick (0.46 mm), 3⁵/₈-inch-deep (92 mm) steel studs and tracks or 2-by-4 wood studs faced on both sides with 5⁵/₈-inch-thick (15.9 mm), Type X gypsum wallboard. Studs are spaced a maximum of 24 inches (610 mm) on center. The wallboard is erected vertically or horizontally and attached to studs and tracks with 1¹/₂-inch-long (38 mm), Type S drywall screws for steel studs, or Type W drywall screws for wood studs, spaced 8 inches (203 mm) on center on vertical edges and 12 inches (305 mm) on center on top and bottom edges and in the field. The wallboard panels must be tightly butted, with all joints blocked. Joints must be centered on the stud face and staggered one stud on opposite faces of the assembly. The Fire Tape wallboard tape is applied to the wallboard joints in accordance with Section 4.1. Fasteners shall be treated with approved joint tape or joint compound.

5.0 CONDITIONS OF USE

The EZ Taping System described in this report complies with, or is a suitable alternative to what is specified in, those codes listed in Section 1.0 of this report, subject to the following conditions:

- 5.1 The tape is manufactured, identified and installed in accordance with this report and the manufacturer's instructions.
- 5.2 The tape is applied to tightly butted joints of nonload-bearing one-hour fire-resistive assemblies as described in Section 4.2.

6.0 EVIDENCE SUBMITTED

- 6.1 Reports of tests in accordance with ASTM E 119, C 474 and C 475, and the ICC-ES Acceptance Criteria for Adhesively Attached Drywall Tape (AC119), dated July 1996.
- 6.2 A quality control manual.

7.0 IDENTIFICATION

Each roll of tape is marked with the manufacturer's name (EZ Taping System) and the evaluation report number (ESR-1231). In addition, each package of product contains installation instructions, limitations on use and a plastic knife for use in applying the tape.

INTERTEK REPORT #: 3089998

Report Date: January 20, 2006

ENGINEERING EVALUATION

Mr. Gary Swartz
EZ Taping System Inc.
PO Box #11263
Green Bay, WI 54307-1263

Phone: 920-436-9800
Fax: 920-429-9413
E-Mail: wbadger@sprynet.com

REQUEST

Per Proposal #307955, EZ Taping System Inc. has requested an evaluation to allow the use of their EZ Tape System in UL U498 fire rated wall partition assembly.

ENGINEERING REVIEW PROCESS

EZ Taping System Inc.'s EZ Tape is approved for use in 1 hour and 2 hour wall assemblies with steel or wood studs. UL U498 is a 2 hour wall partition with one layer of 1/2" fire rated gyp over a shaft liner and one layer attached to the stud similar to the current approved designs for EZ Taping System Inc.

CONCLUSIONS

EZ Taping System Inc.'s EZ Tape is eligible to be used in UL U498 fire rated wall partition assembly.

Prepared By:



Jennifer Zuege
Technical Writer
Building Products Group
Intertek

Reviewed By:



Timm Schaeffer
Engineer
Building Products Group
Intertek

This report is for the exclusive use of Intertek's Client and is provided pursuant to the agreement between Intertek and its Client. Intertek's responsibility and liability are limited to the terms and conditions of the agreement. Intertek assumes no liability to any party, other than to the Client in accordance with the agreement, for any loss, expense or damage occasioned by the use of this report. Only the Client is authorized to copy or distribute this report and then only in its entirety. Any use of the Intertek name or one of its marks for the sale or advertisement of the tested material, product or service must first be approved in writing by Intertek. The observations and test results in this report are relevant only to the sample tested. This report by itself does not imply that the material, product, or service is or has ever been under an Intertek certification program.



Intertek Testing Services ETL SEMKO

Date: April 18, 2003

Client: EZ Taping System
P.O. Box 11263
Green Bay, Wisconsin 54307-1263
Telephone: 920-436-9800
Facsimile: 920-429-9413

Project: 3040054

Test Procedures: ASTM E 119, CAN/ULC-S101, NFPA 251, UBC 7-1-1994, UL 263

Request:

EZ Taping Systems requested authorization to extend their current listing of their "Fire Tape" drywall joint tape. Currently the "Fire Tape" is limited for use in 1 hour drywall wall assemblies. EZ Taping Systems is seeking authorization to be used in 2 hour drywall wall assemblies.

Engineering Review:

Currently EZ Taping Systems "Fire Tape" is eligible to be used over vertical joints in 1 hour drywall wall assemblies. These assemblies have one (1) layer of 5/8" Type 'X' gypsum wallboard panels on each side of the steel or wood studs.


Two (2) hour rated walls have two (2) layers of 5/8" Type 'X' gypsum wallboard panels on each side of the steel or wood studs. The "Fire Tape" product would be used as an alternative to conventional joint tape in specific systems when:

1. Two or more layers of listed Type 'X' gypsum wallboard are applied vertically with joints staggered and the joints of the face boards are:
 - a. Tightly butted and taped with EZ Taping Systems' "Fire Tape" or
 - b. Finished with joint compound of EZ Taping Systems' "Fire Tape" if the gap between gypsum wallboard panels is visible at the joint.
2. Two or more layers of USG "Sheetrock" Firecode C gypsum wallboard are applied (horizontally or vertically).
 - a. The panels shall be tightly butted with the joints staggered and taped with EZ Taping Systems' "Fire Tape".
 - b. If a gap is visible at the joint, a finishing coat of joint compound over the EZ Taping Systems' "Fire Tape" would be required.


Conclusion:

It is deemed that the application of EZ Taping Systems' "Fire Tape" as described above would not affect the fire performance of a 2 hour drywall assembly with steel or wood studs.

Written by:


Timm Schaeffer
Engineer

Reviewed by:


Rick Curkeet
Chief Engineer - Building Products



Intertek Testing Services NA, Inc.

8431 Murphy Drive, Middleton, WI 53562

Telephone 800-838-4400 Fax 608-831-9279 Home Page www.intertek.com





Incncape Testing Services
Warnock Hersey

Warnock Hersey, Inc.
8431 Murphy Drive
Middleton, WI 53562
Telephone (608) 836-4400
Fax (608) 831-9279

Mr. Ron Stough
EZ Taping System Inc.
2200 Riverside Drive
Green Bay, WI 54305-3819

July 31, 1995

RE: TEST NUMBER 12937-764.

Dear Mr. Stough:

This is to confirm that the above referenced test has passed the 60 minute fire endurance and hose stream tests. The test assembly consisted of one layer of 5/8" thick Type X gypsum sheathing on both sides of nominal 2"x4" wood studs, 16" O. C. All gypsum sheathing joints were taped with "Fire Tape" without joint compound.

The test was conducted to UBC Standard 7-1 "Fire Test of Building Construction and Materials" and ASTM E119 "Standard Test Methods for Fire Tests of Building Construction and Materials". Complete details may be found in the report to be issued in the near future.

If you have any questions, do not hesitate to contact us at (608) 836-4400.

Yours truly,

Andrew Hyun, Ph.D.
Senior Testing Engineer/Project Manager

Andrew Hyun/3.5/communication/wp6.0/eztape1



E-Z Taping System, Inc.
P.O. Box 11263 Green Bay, WI 54307
Call: (800) 721-8273
Fax: (920) 569-4936

February 18, 2008

DECLARATORY STATEMENT FROM FLORIDA BUILDING COMMISSION

E-Z Taping System has been selling E-Z FIRE TAPE in the State of Florida for over 10 years. During that time many municipalities have refused to allow contractors to use the product since it did not have State approval. On September 26, 2007, we petitioned the Florida Building Commission to review the statutes to see how E-Z FIRE TAPE could be accepted in Florida.

On February 8, 2008, we received the attached Declaratory Statement from the Florida Building Commission stating that our Fire Tape was outside the scope of Rule 9B-72, Florida Administrative Code. This means that our E-Z FIRE TAPE was subject to local building official approval. This meant we would need test results from a Florida approved agency such, as Intertek Testing Service, which we have.

E-Z FIRE TAPE has passed the full-scale fire tests for a One-hour fire rated wall systems constructed with fire rated gypsum board for use in Canada and the US market.



E-Z FIRE TAPE was tested and accredited by Intertek Testing Services (formerly Warnock Hersey), and is now rated by ICC-EVALUATION SERVICES. Intertek Testing Services has also rated the E-Z FIRE TAPE for a two-hour wall system. This product has been on the market for over ten years.

Visit our website, which is www.e-ztape.com for additional information.

Thank you for using E-Z TAPE products.

Sincerely,

**Mary Zachman
E-Z Taping System**

Visit our Website at www.e-ztape.com



STATE OF FLORIDA
DEPARTMENT OF COMMUNITY AFFAIRS

"Dedicated to making Florida a better place to call home"

JEB BUSH
Governor

THADDEUS L. COHEN, AIA
Secretary

September 25, 2007

E-Z Taping System, Inc.
P.O.Box 11263
Green Bay, WI 54307

Dear Mr. Swartz:

Your company E-Z Taping System, Inc. manufactures a self-adhesive **E-Z FIRE TAPE**. This product was pending approval for the May 2007 Florida Building Commission meeting but was found to have the following:

A review of your subject Florida Product Approval applications indicated the following:
Standard ASTM E 119 Year is not FBC adopted.
Product has no structural properties and is outside the scope of Rule 9B-72.

In regards to this, it is the staff opinion that your product falls outside the scope of the State Product Approval Rule 9B-72, and subject to the discretion of the local building official. If you should have any questions please contact our offices at 850-487-1824. Thank you.

Sincerely,

Joe Bigelow
Product Approval
Codes and Standards

2555 SHUMARD OAK BOULEVARD TALLAHASSEE, FLORIDA 32399-2100
Phone: 850.488.8466/Suncom 278.8466 FAX: 850.921.0781/Suncom 291.0781
Internet address: <http://www.dca.state.fl.us>

CRITICAL STATE CONCERN FIELD OFFICE
2796 Overseas Highway, Suite 212
Marathon, FL 33050-2227
(305) 289-2402

COMMUNITY PLANNING
2555 Shumard Oak Boulevard
Tallahassee, FL 32399-2100
(850) 488-2356

EMERGENCY MANAGEMENT
2555 Shumard Oak Boulevard
Tallahassee, FL 32399-2100
(850) 413-9969

HOUSING & COMMUNITY DEVELOPMENT
2555 Shumard Oak Boulevard
Tallahassee, FL 32399-2100
(850) 488-7956



E-Z Taping System, Inc.
P.O. Box 11263 Green Bay, WI 54307
Call: (800) 721-8273
Fax: (920) 569-4936

April 2, 2006

TO: FIRE TAPE DEALERS AND USERS:

SUBJ: NEW ICC-EVALUATION RATING

ICBO, BOCA, and SBCCI recently merged into ICC-Evaluation Service, Inc. This gives us one rating service to deal with rather than three. Their new rating, ESR-1231, replaces the individual ratings we had with each of the groups. A copy of the new rating is now part of our technical information. ESR-1231 complies with the International Building Codes (IBC and IRC) and Uniform Building Codes (UBC), which have been adopted by all of the States.

The FIRE TAPE continues to be rated for use with two-hour fire rated wall systems, constructed with fire rated gypsum board for use in the US and Canadian Market by Intertek Testing Services (formerly Warnock Hersey). This use is only for vertically hung wall systems, on both wood and steel stud construction.



E-Z FIRE TAPE can also be used for one hour fire rated vertically or horizontally hung wall systems, on both wood and steel stud construction with fire rated gypsum board Canada and the US market.

We continue to recommend that all dealers and users do the SELF-TEST before selling or using the TAPE to see how easy and how effective it is:

1. Cut three 12-18 inch strips of FIRE TAPE from a sample roll.
2. Attach them gently to a clean piece of drywall.
3. Rub the first hard with your enclosed fist or the palm of your hand.
4. Rub the second hard with a 2 or 3 inch steel knife used by drywall contractors.
5. Rub the third hard with our 3" plastic knife applicator.
6. Wait 10 minutes and then remove the tape from the drywall.

Note how the FIRE TAPE peels the paper from the drywall! The rubbing creates friction, which creates heat, which causes the adhesive to active and therefore bond to the wallboard paper. You will get the best bonding when you use our 3" plastic knife applicator. If there is no fiber from the drywall paper stuck to the TAPE, you do not have good bonding. Once you get bonding as seen from the self-test, the TAPE will not come off the drywall.

Our on going store support program includes brochures and samples to hand out to your customers. Call us today at 800-721-8273 if you need more of these.

Thanks for your help with the sales and marketing of E-Z TAPING products.
Sincerely,

E-Z TAPING SYSTEMS, INC.

Visit our Website at www.e-ztape.com



E-Z Taping System, Inc.
P.O. Box 11263 Green Bay, WI 54307
Call: (800) 721-8273
Fax: (920) 569-4936

ARCHITECTURAL SPECIFICATIONS

PART 1 GENERAL

1. Scope -- Specify to meet project requirements
2. Qualifications -- All materials shall be installed in accordance with its current printed direction.
3. Delivery and Storage of Materials
All materials shall be delivered in their original unopened packages and stored in an enclosed shelter providing protection from damage and exposure to the elements or deteriorated materials shall be removed from the premises.

PART 2 PRODUCTS

1. Materials
 - a. Gypsum Panels: (thickness 5/8") (Width) (Length) (Type X).
 - b. Screws: (Length, type).
 - c. Nails: (Length) (Type) (Conforming to Gypsum Association and AWCI Specifications) as specified in Fire-Resistive Construction - obtain locally.
 - d. Joint Reinforcement: E-Z Taping System ® E-Z Fire Tape® Mudless Drywall Tape.

PART 3...EXECUTION

1. Gypsum Panel Application
 - a. Position and apply gypsum panels in accordance with manufacturer's recommendations.
2. Joint Treatment
 - a. Factory edge joint-cover seams with one lay of E-Z Taping System®Fire Tape®Mudless drywall tape on flats and angles on fire rated Gypsum Board.
 - b. To assure strong adhesion, wipe down with an E-Z Taping System 3" rub down knife.
 - c. Fire Tape is designed to cover or bridge normal seams and angles. It is not to be used to cover large holes or gaps or substitute in any way for fire rated drywall.

PRODUCT DATA:

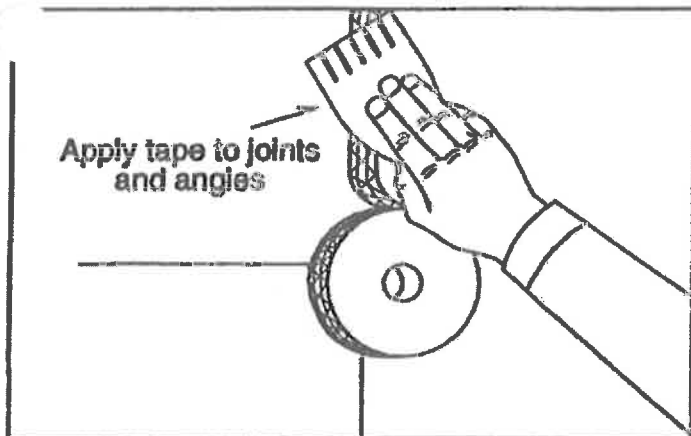
MATERIAL: A fiberglass reinforced pressure sensitive paper tape.
WIDTH: Nom.2 (48mm)
COVERAGE: Approximately 370 ft./1000 sq. ft. (121-m/100 sq. m) Gypsum Panels.

PACKAGING:

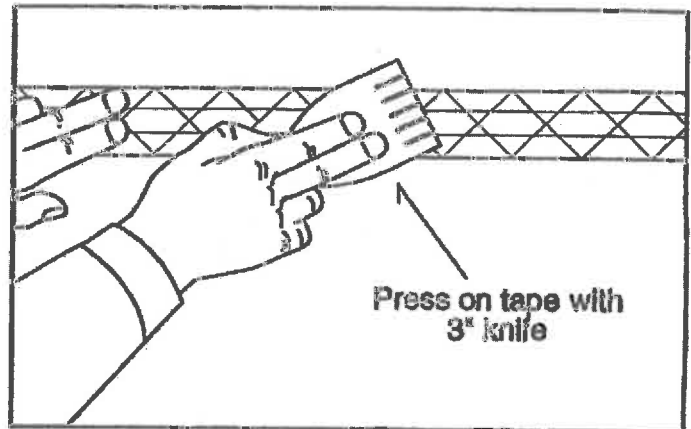
250-FT. (76.2m) /ROLL: Sized for hand or tool application.
MASTER CARTON: Contains 20 each 250-ft. (76.2m) rolls.
TRADEMARK: The trademarks used herein are owned by E-Z Taping System, Inc., Patent Pending

E-Z Taping System® Fire Tape®

Mudless Drywall Tape Application Instructions



Apply Fire Tape to joints and angles of clean, dry, fire rated drywall products only. Be sure the pressure sensitive adhesive contacts the gypsum board at all times.



Apply sufficient pressure to the tape with the E-Z Tape 3" plastic knife to aggressively adhere the tape to the gypsum board. Usage of your hand or any other tool will not get sufficient adhesion of the Fire Tape to the gypsum board. Use a corner roller to adhere tape in the angles.

REQUIREMENTS AND NOTICES FOR USING FIRE TAPE®

1. EZ Taping System Fire Tape is for use on vertical or horizontal joints of interior, nonload-bearing, one-hour fire resistance-rated steel and wood framed assemblies under Section 2508.4 of the IBC, Section R321.1 of the IRC and Section 2511.5 of the UBC. It is not rated for ceilings. It is also rated for two hour fire rated vertically hung wall systems.
2. Fire Tape is designed to cover or bridge normal tight butted joints and angles (1/8"-1/4"). It is not to be used to cover wide joint gaps, large holes, or substitute in any way for fire rated gypsum board.
3. Fire Tape must be applied to clean and dry surfaces. Wipe off excessive dust from the gypsum board before applying.
4. Fire Tape can be applied on wood and steel fire resistive assemblies consistent with U 465 and GA 1200 constructions.
5. Fire Tape, approved gypsum board, and air temperature must be at or above 30 degrees Fahrenheit to achieve proper adhesion. Tape must be maintained at or above 55 degrees Fahrenheit prior to application.
6. The surface of the Fire Tape is treated with silicone and mud or paint will not adhere to it. If you need to disguise the color of the Fire Tape on exposed walls, we recommend using a primer called Zinsser Bulls Eye Odorless to coat over it. Once the Zinsser is dry, a latex paint or mud can be applied.
7. Do not overlap the Fire Tape. The silicone on the surface of the tape will not allow it to adhere to itself.

Visit our website at www.eztapingsystem.com

FIRE TESTING AND COMPLIANCE INFORMATION

Reports of tests in accordance with ASTM E119, C474 and C475, and the ICC-ES Interim Criteria for Adhesively Attached Drywall Tape (AC119), dated July 1996 and UBC Standard 7-1. The test assembly was constructed according to both U 465 and GA 1200 design.

Rated for use by:
ICC Evaluation Services, Inc.
(ESR-1231)

The tests for 2 Hr. rating were conducted to meet UBC Standard 7-1-1994, ASTM E119, CAN/ULC-S101, NFPA 251, and UL 263 procedures.

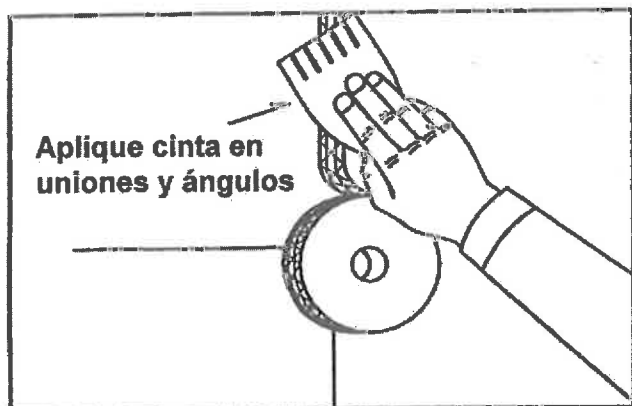
*Testing conducted by Intertek Testing Services, Warnock Hersey, Inc. 1995.

E-Z Taping System and Fire Tape are registered trademarks of E-Z Taping System, Inc.

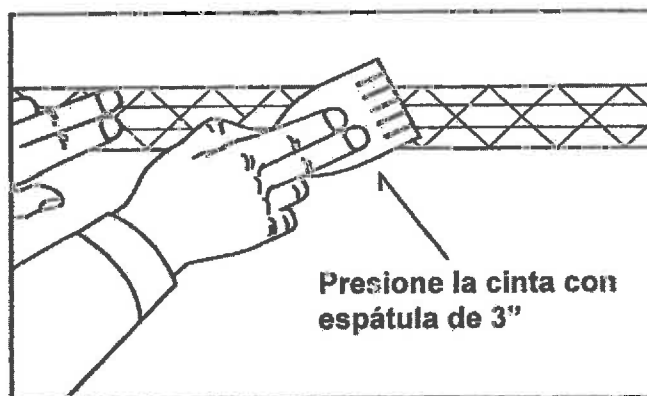
US patent No. 5,486,394, 5,687,523, & 6,226,946. Foreign Patents Pending.
E-Z Taping System, Inc. • P.O. Box 11263 • Green Bay, WI 54303 • 800-721-8273

E-Z TAPING SYSTEM[®] (SISTEMA DE CINTA E-Z) **Fire Tape[®] (Cinta FIRE)**

Instrucciones para aplicar la Cinta sin Compuesto para Paneles



Aplique la Fire Tape en uniones y ángulos sólo en productos de paneles de yeso limpios, secos, y clasificados como resistentes al fuego. Asegúrese de que el adhesivo sensible a la presión esté siempre en contacto con el panel.



Aplique suficiente presión a la cinta con una espátula plástica E - Z Tape de 3" para adherir firmemente la cinta al panel de yeso. El uso de su mano o de cualquier otro instrumento no logrará suficiente adhesión de la Fire Tape al panel de yeso. Use un rodillo de esquinas para adherir la cinta en los ángulos.

REQUISITOS E INFORMACION PARA USAR FIRE TAPE[®] (Cinta FIRE)

1. La cinta Fire Tape del Sistema de Cintas EZ es para ser usada en juntas interiores horizontales o verticales de conjuntos de estructura de madera o de acero clasificado como resistente al fuego por una hora, que no sostengan pesos, bajo la Sección 2508.4 de IBC, Sección R321.1 de IRC y Sección 2511.5 de UBC. No está certificada para techos. También está certificada para sistemas de paredes verticales sostenidas, hechos de materiales certificados que resisten al fuego por dos horas.
2. Fire Tape está diseñada para cubrir o conectar uniones y ángulos empalmados (1/8"-1/4"). No debe usarse para cubrir bordes separados, huecos grandes, y nunca como sustituto de paneles resistentes al fuego.
3. Fire Tape debe aplicarse en superficies limpias y secas. Retire el exceso de polvo del panel de yeso antes de aplicar.
4. Fire Tape puede aplicarse en ensamblajes de madera o
5. acero resistentes al fuego que cumplan las normas de construcciones U 465 y GA 1200.
5. Fire Tape, el panel de yeso aprobado, y la temperatura ambiente deben estar al menos a 30 grados Fahrenheit (12,7 C) para lograr la adhesión correcta. La Cinta debe ser mantenida al menos a 55 grados Fahrenheit antes de aplicarse.
6. La superficie de Fire Tape está tratada con siliconas y el compuesto o la pintura no se adherirá a ella. Si necesita cambiar el color de Fire Tape en paredes expuestas, recomendamos usar un imprimador llamado Zinsser, Bulls Eye Odorless, para pintar sobre ella. Una vez que Zinsser seca, se puede aplicar una pintura al látex o compuesto.
7. No encime la Fire Tape. La silicona en la superficie de la cinta no permitirá que se adhiera a sí misma.

www.eztapingsystem.com

INFORMACION SOBRE PRUEBAS CONTRA FUEGO Y CUMPLIMIENTO DE NORMAS

Informes de pruebas de acuerdo a ASTM E119, C474 y C475, y el ICC-ES Interim Criteria for Adhesively Attached Drywall Tape (AC119), de Julio de 1996 y el UBC Standard 7-1. El conjunto de pruebas fue construido de acuerdo a los diseños U 465 y GA 1200.

Calificado para uso por:
ICC Evaluation Services, Inc.
(ESR-1231)

Las pruebas para resultados de 2 Hr. fueron hechas de acuerdo a los estándares UBC Standard 7-1-1994, ASTM E119, CAN/ULC-S101, NFPA 251, y procedimientos UL 263.

*Pruebas llevadas a cabo por Intertek Testing Services, Warnock Hersey, Inc. 1995.

E-Z Taping System y Fire Tape son marcas registradas de E-Z Taping System, Inc.



E-Z Taping System, Inc.
P.O. Box 11263 Green Bay, WI 54307
Call: (800) 721-8273
Fax: (920) 569-4936

TECHNICAL INFORMATION

Joints and Seams

During the application of E-Z Fire Tape, whether on even or uneven joints and seams, we recommend you use the E-Z Taping System plastic 3" knife by first aggressively wiping down one side of the tape and then wiping the remaining part of the tape to assure maximum adhesion.

Outside Corners

When fire taping an outside corner, both sides of the tape should be wiped down. We have found that by wiping down one side of the tape and then stretching the tape around the corner and wiping down the remaining side, you have achieved a strong bond and have met your fire taping requirements. When wiping down fire tape, always use the E-Z Tape plastic 3" knife to maximize adhesion between the tape and board.

Overlapping

The top sheet on Fire Tape is specially designed to prevent the tape from sticking to itself. In areas where you must overlap the tape, such as where one roll ends and a new roll begins, simply T-off the lapped area. This is achieved by taking a 6 to 8 inch piece of tape and applying it over the lapped area. In draft stop areas where you have a butt joint intersecting a seam, simply apply a 6 to 8 inch piece of tape diagonally across the seam and butt where they intersect. We appreciate your assistance, in informing you customers of this updated information. If we can be of any further assistance, please don't hesitate to call us.

Ceilings

The Fire Tape is **NOT** rated for use on ceilings.

DIAGRAM A

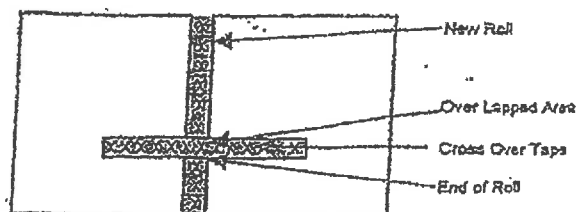
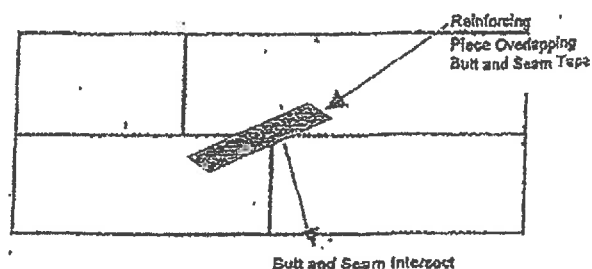


DIAGRAM B



Visit our Website at www.e-ztape.com

Material Safety Data Sheet

U.S. Department of Labor



May be used to comply with
OSHA's Hazard Communication Standard,

Occupational Safety and Health
Administration
(Non-Mandatory Form)

IDENTITY <i>(As Used on Label and List)</i> WALLBOARD JOINT TAPE	Note: Blank spaces are not permitted. If any item is not applicable, or no information is available, the space must be marked to indicate that.
---	---

Section I

Manufacturer's Name E-Z TAPING SYSTEM, INC.	Emergency Telephone Number 920-429-9274
Address <i>(Number, Street, City, State, and ZIP Code)</i> 2954 Holmgren Way	Telephone Number for Information 920-429-9274
GREEN BAY, WI 54304	Date Prepared SEPTEMBER 30, 2002

Section II - Hazard Ingredients/Identity Information

Hazardous Components (Specific Chemical Identity; Common Name(s)) N / A	OSHA PEL	ACGIH TLV	Other Limits Recommended	% <i>(optional)</i>
--	----------	-----------	--------------------------	---------------------

Section III - Physical/Chemical Characteristics

Boiling Point	212 °F	Specific Gravity (H ₂ O = 1)	1.0-1.2
Vapor Pressure (mm Hg.)	17MM EG	Melting Point	46-48%
Vapor Density (AIR = 1) LESS THAN 1		Evaporation Rate (Butyl Acetate = 1) LESS THAN 1	
Solubility in Water DILUTABLE			
Appearance and Odor MILKY WHITE AMMONIA			

Section IV - Fire and Explosion Hazard Data

Flash Point (Method Used) NON-COMBUTIBLE	Flammable Limits	LEL	UEL
Extinguishing Media FOAM FOG, CO2, WATER, OR DRY CHEMICALS			

Special Fire Fighting Procedures N / A
Unusual Fire and Explosion Hazards ADHESIVE CAN SPLATTER

Section V - Reactivity Data

Stability	Unstable		Conditions to Avoid AVOID TEMP ABOVE 350° F
	Stable	X	ONSET OF POLYMER DECOMPOSITION
Hazardous Decomposition or Byproducts TERMINAL DECOMPOSITION MAY YIELD ACRYLIC MONOMER			
Hazardous Polymerization	May Occur		Conditions to Avoid
	Will Not Occur	X	

Section VI - Health Hazard Data

WASH WITH SOAP AND WATER IF NECESSARY

Section VII - Precautions for Safe Handling and Use

Steps to Be Taken in Case Material is Released or Spilled N / A
Waste Disposal Method SOLID WASTE LAND FILL OR INCINERATOR

Section VIII - Control Measures

Respiratory Protection (<i>Specify Type</i>) NOT NEEDED UNDER NORMAL CONDITONS		
Ventilation N / A	Local Exhaust	Special
Protective Gloves USE GLOVES IF NECESSARY		Eye Protection NONE REQUIRED



E-Z Taping System, Inc.
 P.O. Box 11263 Green Bay, WI 54307
 Call: (800) 721-8273
 Fax: (920) 965-0423

START SAVING MONEY THE E-Z WAY

Conventional methods of fire taping with mud and tape are messy and hard to work with, especially in above ceiling areas where there are beams and pipes. By replacing your old method with E-Z TAPING SYSTEM FIRE TAPE you can put the savings in your pocket by using this fast self adhesive and mudless application.

Requirements for applying 4,800 sq. ft. (100 sheets) with FIRE TAPE

<u>CONVENTIONAL FIRE TAPING</u>		<u>E-Z FIRE TAPE METHOD</u>	
<u>MATERIALS</u>		<u>MATERIALS</u>	
TAPE	\$ 7.00	FIRE TAPE (250' ROLL)	\$18.00
MUD	<u>45.00</u>	4.8 ROLLS	<u>X 4.8</u>
Subtotal	\$52.00	Subtotal	\$86.40
<u>TIME</u>		<u>TIME</u>	
PREPARATION	.5 Hours	TAPING	4 Hours
MUD & TAPING	5.6 Hours		
MUD	5.6 Hours		
CLEAN UP	<u>.5 Hours</u>		
Subtotal	12.2 Hours		
<u>LABOR COST</u>		<u>LABOR COST</u>	
	\$30.00 Per Hour		\$30.00 Per Hour
	<u>x 12.2 Hours</u>		<u>x 4 Hours</u>
Subtotal	\$366.00	Subtotal	\$120.00
<u>TOTAL COST</u>	<u>\$418.00</u>	<u>E-Z FIRE TAPING COST</u>	<u>\$296.40</u>
<u>CONTRACTOR'S DOLLAR SAVINGS</u>		\$211.60	
<u>TIME SAVINGS</u>		8.2 HOURS	

Look at all the other benefits E-Z FIRE TAPE offers you:

1. With the time gained, your customer deadlines will be easier to meet.
2. Your ability to compete in the market place increases.
3. Jobs are more easily negotiated with increased profit margins.
4. Better utilization of your company's overhead.
5. Profit per man hour increases
6. Use the time saved to take that long overdue VACATION.

For more information, please call us at **E-Z TAPING SYSTEM**

P.O. Box 11263
 Green Bay, WI 54307

Call: (800) 721-8273
 Fax: (920) 965-0423
 zachman@e-ztape.com

Visit our Website at www.e-ztape.com