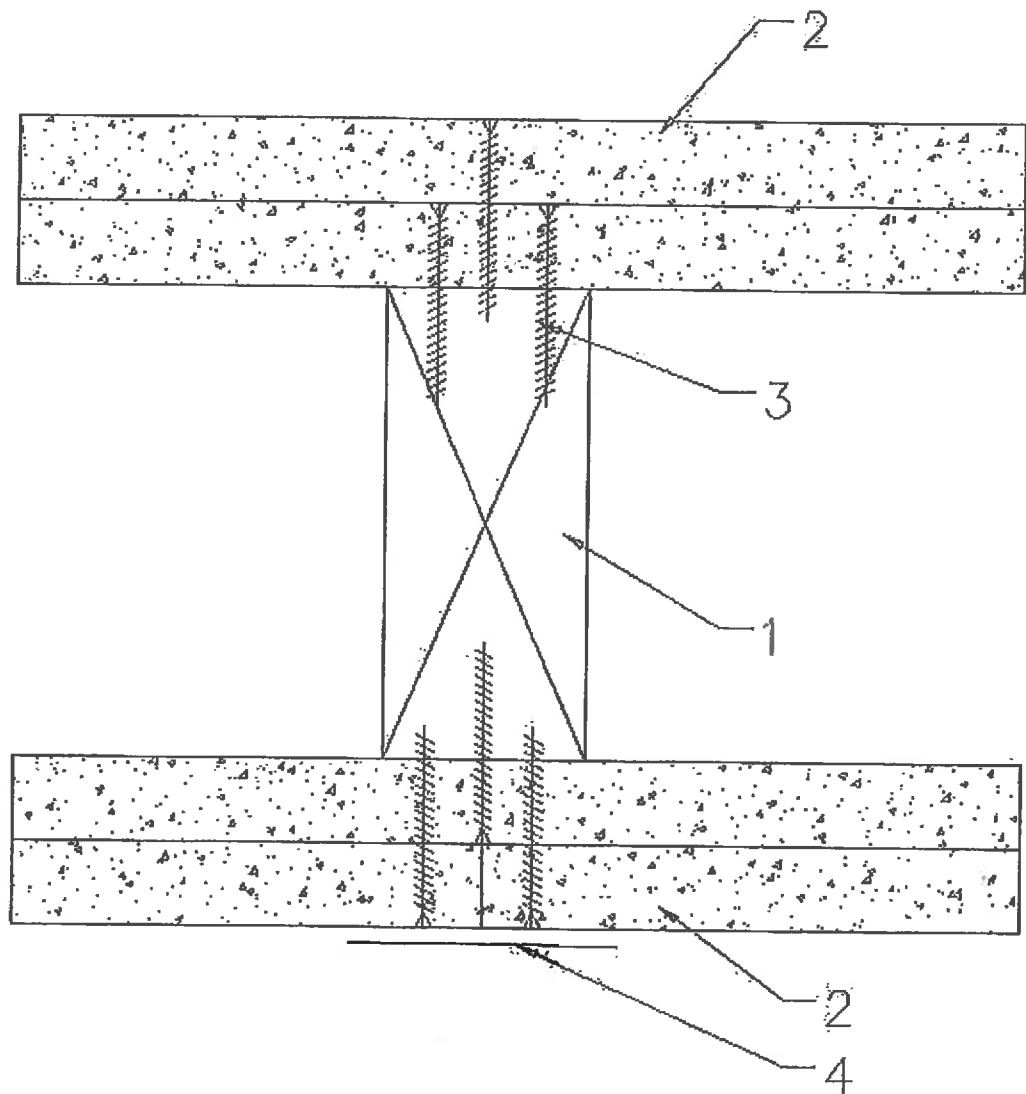


WALL ASSEMBLIES

EZ TAPING SYSTEM, INC. - Green Bay, WI USA

- ▷ DESIGN NO. EZT/WA 60-01
- ▷ DESIGN NO. EZT/WA 60-02
- ▷ DESIGN NO. EZT/WA 120-01
- ▽ DESIGN NO. EZT/WA 120-02

**DESIGN NO. EZT/WA 120-02
ASSEMBLY RATING - 2 HOUR, BEARING WALL**



1. Studs: Nominal 2" x 4" wood studs, spaced maximum 16" oc with mid-height bridging.

2.	<p>Gypsum Board: Two (2) hour rated walls have two (2) layers of 5/8" Type 'X' gypsum wallboard panels on each side of the steel studs. The "Fire Tape" product would be used as an alternative to conventional joint tape in specific systems when:</p> <p>3. Two or more layers of listed Type 'X' gypsum wallboard are applied vertically with joints staggered and the joints of the face boards are:</p> <p>a. Tightly butted and taped with EZ Taping Systems "Fire Tape" or</p> <p>b. Finished with joint compound of EZ Taping Systems "Fire Tape" if the gap between gypsum wallboard panels are visible at the joint.</p> <p>4. Two or more layers of USG "Sheetrock" Firecode C gypsum wallboard are applied (horizontally or vertically).</p> <p>a. The panels shall be tightly butted with the joints staggered and taped with EZ Taping Systems "Fire Tape".</p> <p>b. If a gap is visible at the joint, a finishing coat of joint compound over the EZ Taping Systems "Fire Tape" would be required.</p>
3.	<p>Attachment:</p> <p>a) 1-1/4" long, Type W drywall screws, spaced 8" oc to vertical edges and 12" oc to top and bottom runners and intermediate studs.</p> <p>b) 1-7/8" long, 0.0915" Shank, 1/4" Head, nailed at 7" oc.</p>
4.	<p>"Fire Tape"*: Nominal 2" (48mm) wide EZ Taping System, Inc. Fire Tape applied on the vertical joints at studs. Finishing coat of joint compound applied over EZ Taping System, Inc. Fire Tape is required.</p>

*Components bearing the Warnock Hersey Certification Mark.

Testing Standards: CAN/ULC-S101, NFPA-251, UL-263.

▷ Evaluated to the following...